

Customer:		Customer's consultant:
Order / Offer	Reference	Date



Roller shutter

Top-mounted roller shutter

External roller shutter

Type of box

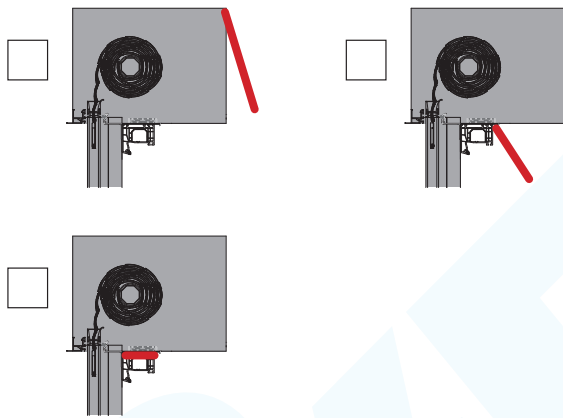
Top-mounted PVC

- | | |
|------------------------------------|--|
| <input type="checkbox"/> Elite XT | <input type="checkbox"/> Exakt |
| <input type="checkbox"/> Expert XT | <input type="checkbox"/> Roka top 2 RG |
| <input type="checkbox"/> Opoterm | <input type="checkbox"/> Roka top 2 |
| <input type="checkbox"/> BeClever | <input type="checkbox"/> SKN without a box |

Aluminium

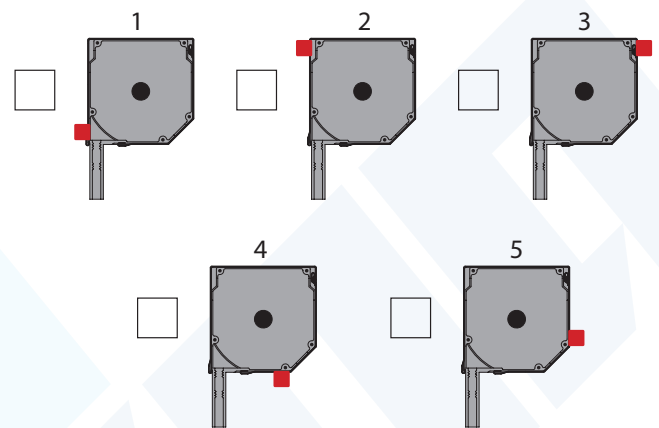
- | | |
|--------------------------------|---------------------------------|
| <input type="checkbox"/> SKP | <input type="checkbox"/> BGR/SK |
| <input type="checkbox"/> SK 45 | |
| <input type="checkbox"/> SP-E | |
| <input type="checkbox"/> SKO-P | |

Inspection flap



* outside: roka top 2 / elit xt

Tape hole



* 4 i 5 excluding sko-p and skp

- | | | | | | | | | |
|-----|--------------------------------|--------------------------------|--------------------------------|-----|--------------------------------|-------------------------------|-----------------------------------|-----------------------------------|
| Alu | <input type="checkbox"/> PA 39 | <input type="checkbox"/> PA 43 | <input type="checkbox"/> PA 52 | PVC | <input type="checkbox"/> PT 37 | <input type="checkbox"/> PT52 | <input type="checkbox"/> BGR PA55 | <input type="checkbox"/> BGR PA77 |
|-----|--------------------------------|--------------------------------|--------------------------------|-----|--------------------------------|-------------------------------|-----------------------------------|-----------------------------------|

Curtain colour	Colour of guide rails and covers
----------------	-------	----------------------------------	-------

Box colour	Colour of the edge strip
------------	-------	--------------------------	-------

<input type="checkbox"/> Yes	Integrated insect screen	<input type="checkbox"/> No
------------------------------	--------------------------	-----------------------------

Accessories

Control option

Manual

Electrical

Control sides

Right

Left

* view from the inside

Winder

Crank

Electrical motor

Radio motor

Motor

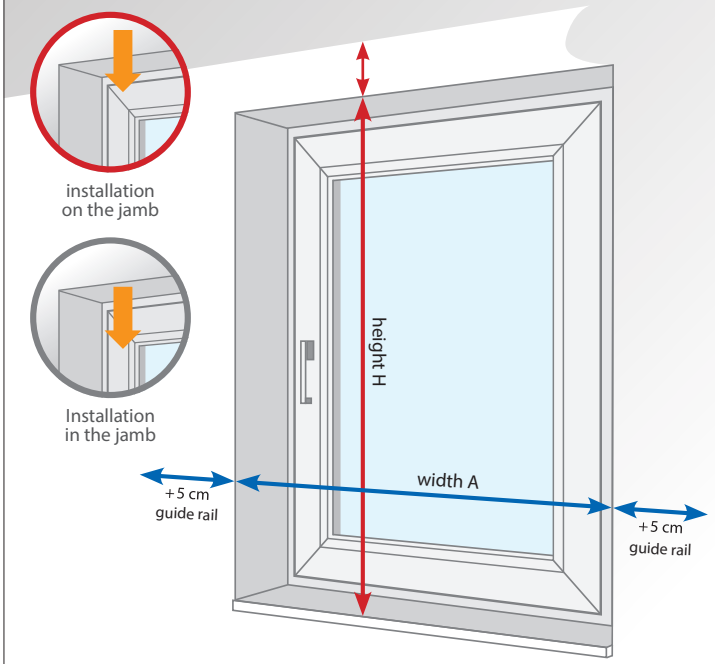
Yooda (Sukces)

Selve

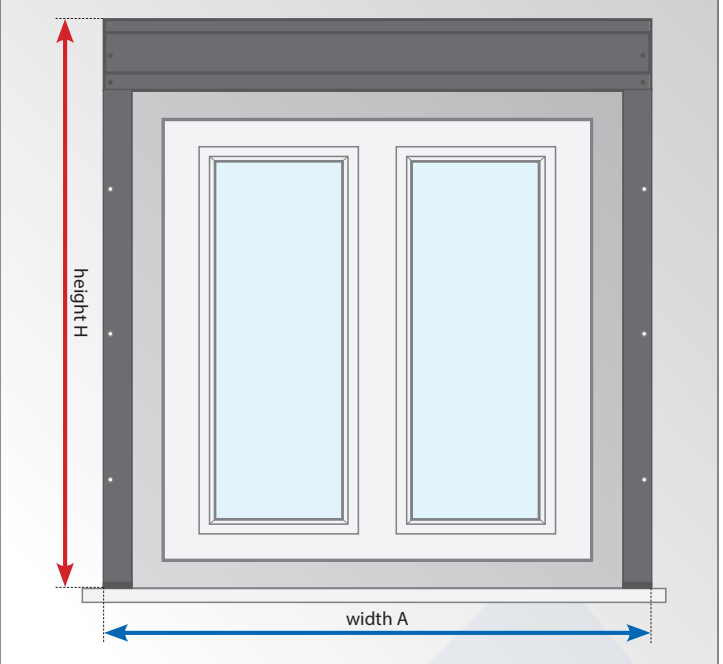
Somfy

Measuring

External roller shutter e.g. SK 45



Top-mounted roller shutter e.g. Exakt



Drawing

position	pieces	drawing	width	height	comments	position	pieces	drawing	width	height	comments

Modifications

Page