

HST lift and slide doors

HST 85
PREMIUM
 $U_w = 0,87^*$

- 1 The door hardware is covered with a special ferGUard anti-corrosion coating that ensures its long-lasting and efficient operation.
- 2 A possibility to use an HST Master automatic control system.
- 3 A wide range of thresholds on offer, from 24 mm, designed for installation on a ready-made floor, to 67 mm designed to be incorporated into a floor. The Premium threshold made from a composite material with the best thermal insulation coefficient is also available in our offer.
- 4 Large glazing units. A leaf even up to 3 m wide and 2,5 m high. The maximum total size: 6,5 m of width and 2,6 m of height with an optional structure up to 9 meters (a technical acceptance is absolutely necessary). The maximum thickness of a glazed unit for Aluplast is 51 mm and Salamander is 48 mm systems.
- 5 The load-bearing capacity of the train up to 400 kilograms.

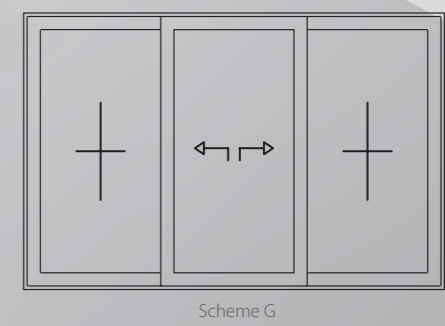
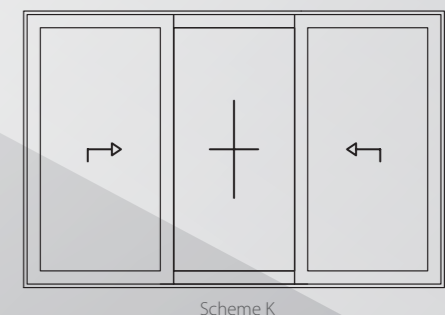
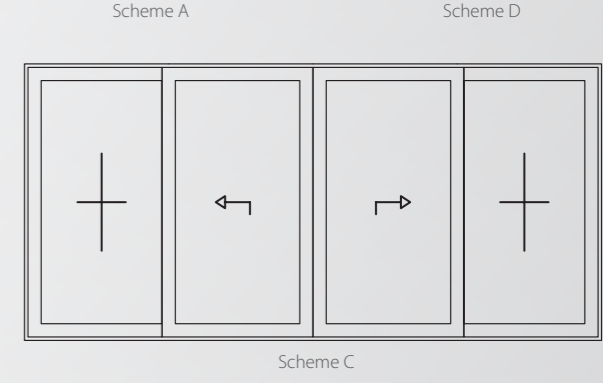
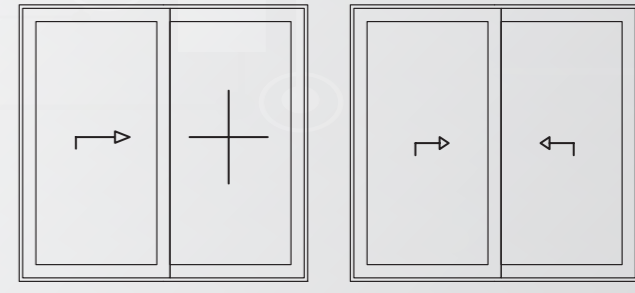


AVAILABLE IN
3 SYSTEMS:

- + HST 85 (schemes: A, D, C)
- + HST 70 (schemes: A, D, C, G, K)
- + HST Salamander (schemes: A, D, C, K)

- 6 The aluminium reinforcement with a possible to apply thermal strip.
- 7 An aluminium handle provides the smooth and comfortable operation.
- 8 Three anti-burglary points in our standard versions.
- 9 The applied fittings enable stable and light performance. All control functions are integrated in a handle.
- 10 Optionally Aluskin shells can be used in the 85 system.
- 11 Adding any additional elements will increase the resistance to break-ins.

Available structure schemes



*the value provided for the A scheme structure for the dimensions 1480 x 2180 mm with a pane Ug = 0,5 and a warm edge Swisspacer